

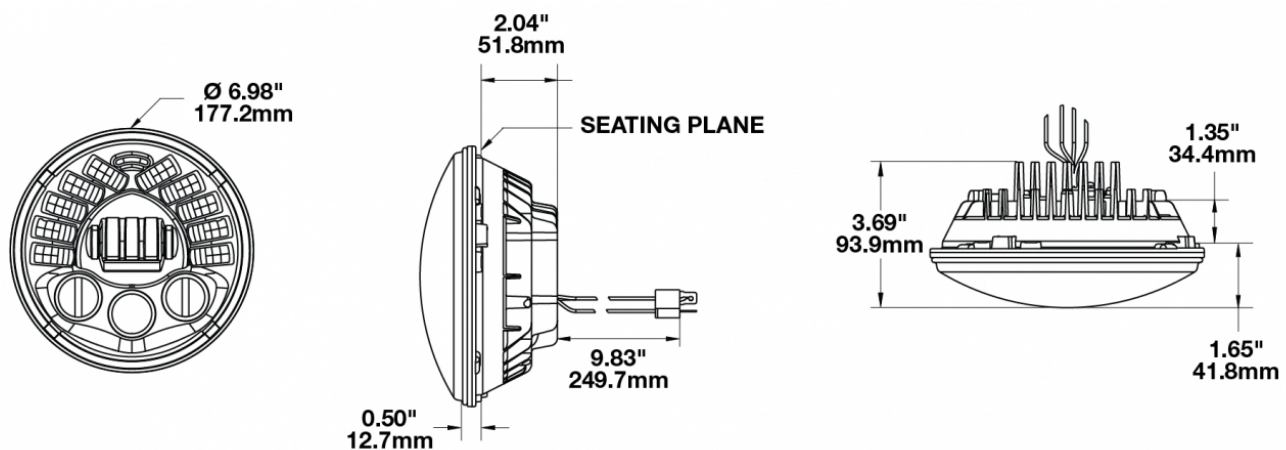
Motorcycle LED Headlights - Model 8790

PRODUCT INFORMATION

Description	12V DOT/ECE LED High & Low Beam Headlight with Black Inner Bezel
Height	177.20 mm / 6.98 in
Width	177.20 mm / 6.98 in
Depth	93.68 mm / 3.69 in
Shape	Round
Outer Lens Material	Polycarbonate
Outer Lens Color	Clear
Housing Material	Die-Cast Aluminum
Bezel Color	Black
Retrofits	Bucket, 7" Round Headlights, PAR56
Minimum Operating Temperature	-40 °C / -40 °F
Maximum Operating Temperature	60 °C / 140 °F
Connector or Wiring	H4
Mating Connector	H4 AMP#172615-2
Shipping Weight	2.42 lbs / 1.1 kgs



PRODUCT DIMENSIONS



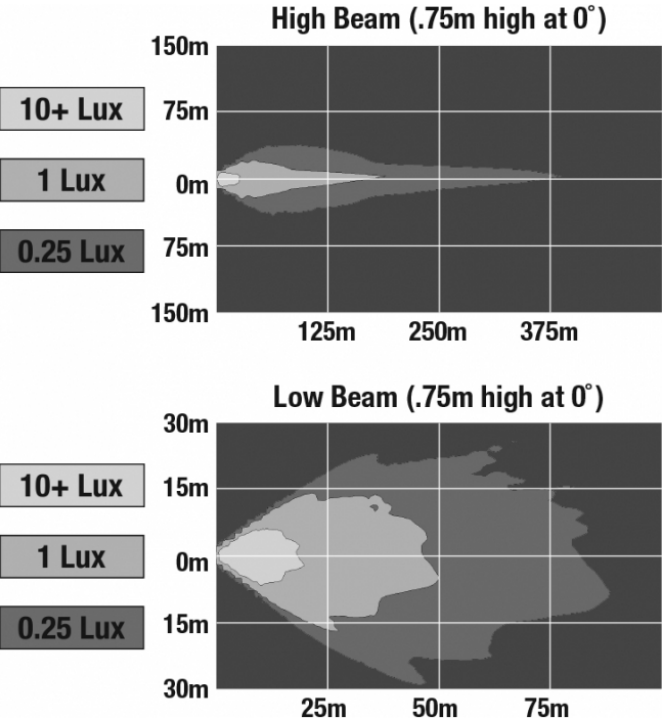
Print date: 2017-07-25

© 2017 J.W. Speaker Corporation • Germantown, WI U.S.A.
 www.jwspeaker.com • speaker@jwspeaker.com • 262.251.6660

J.W. SPEAKER 
 Engineered. Lighting. Solutions.

Motorcycle LED Headlights - Model 8790

PHOTOMETRIC SPECIFICATIONS



APPLICATIONS



Print date: 2017-07-25

© 2017 J.W. Speaker Corporation • Germantown, WI U.S.A.
www.jwspeaker.com • speaker@jwspeaker.com • 262.251.6660



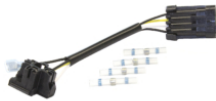
Motorcycle LED Headlights - Model 8790

ACCESSORIES



Part Number
3156351

Mounting Ring Kit for
7" Round (PAR56)
Headlights



Part Number
8200411

Wire Harness H4 for 7"
Round (PAR56)
Headlights

RELATED PRODUCTS



Part Number
0553431

12V DOT/ECE LED High
& Low Beam Headlight
with Chrome Inner
Bezel

Print date: 2017-07-25

© 2017 J.W. Speaker Corporation • Germantown, WI U.S.A.
www.jwspeaker.com • speaker@jwspeaker.com • 262.251.6660