

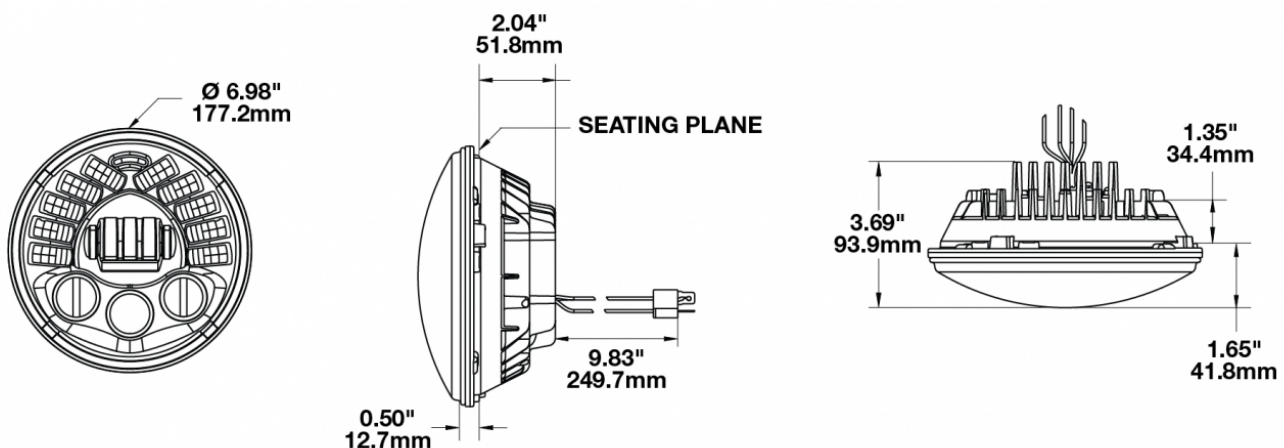
Motorcycle LED Headlights - Model 8790

PRODUCT INFORMATION

Description	12V DOT/ECE LED High & Low Beam Headlight with Chrome Inner Bezel
Height	177.20 mm / 6.98 in
Width	177.20 mm / 6.98 in
Depth	93.68 mm / 3.69 in
Shape	Round
Outer Lens Material	Polycarbonate
Outer Lens Color	Clear
Housing Material	Die-Cast Aluminum
Bezel Color	Chrome
Retrofits	Bucket 7" Round Headlights (PAR56)
Minimum Operating Temperature	-40 °C / -40 °F
Maximum Operating Temperature	65 °C / 149 °F
Connector or Wiring	H4
Mating Connector	H4 AMP#172615-2
Shipping Weight	3.13 lbs / 1.42 kgs



PRODUCT DIMENSIONS



Print date: 2018-01-29

© 2018 J.W. Speaker Corporation • Germantown, WI U.S.A.
 www.jwspeaker.com • speaker@jwspeaker.com • 262.251.6660

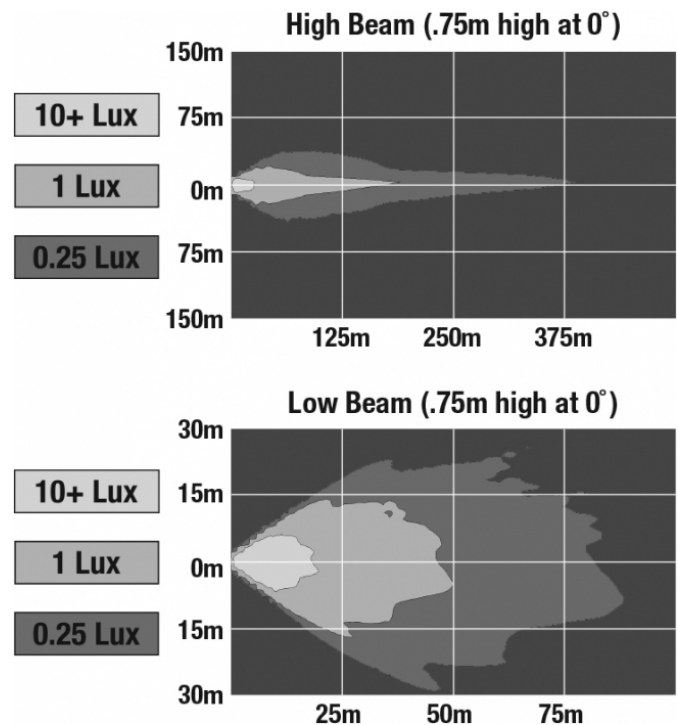
Motorcycle LED Headlights - Model 8790

ELECTRICAL SPECIFICATIONS

Input Voltage	12V DC
Operating Voltage	9-16V DC
BLACK Wire	GROUND
WHITE Wire	HIGH BEAM
YELLOW Wire	LOW BEAM
RED Wire	FRONT POSITION
Current Draw	1.9A @ 13.5V DC (LOW BEAM) 2.9A @ 13.5V DC (HIGH BEAM)

PHOTOMETRIC SPECIFICATIONS

Raw Lumen Output	2,250 (High Beam); 2025 (Low Beam)
Effective Lumen Output	1,150 (High Beam); 850 (Low Beam)
Candela Output	48,000 (High Beam); 11,500 (Low Beam)
Nominal LED Color Temperature	5000 K
Beam Pattern(s)	Forward Lighting - High Beam (DOT/ECE) Forward Lighting - Low Beam (DOT/ECE) Signalization - Front Position



Print date: 2018-01-29

© 2018 J.W. Speaker Corporation • Germantown, WI U.S.A.
www.jwspeaker.com • speaker@jwspeaker.com • 262.251.6660

Motorcycle LED Headlights - Model 8790

INSTALLATION & APPLICATION INFORMATION

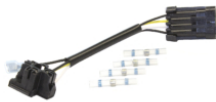
Headlight must be securely mounted and properly aimed such that the beam pattern cut off line complies with all applicable regulations. If you are not familiar with the legal requirements for aiming your headlights, please see a professional service provider. We recommend that headlights are aimed with a headlight aiming system for proper alignment.

ACCESSORIES



Part Number
3156351

Mounting Ring Kit for
7" Round (PAR56)
Headlights



Part Number
8200411

Wire Harness H4 for 7"
Round (PAR56)
Headlights

RELATED PRODUCTS



Part Number
0553421

12V DOT/ECE LED High
& Low Beam Headlight
with Black Inner Bezel

Print date: 2018-01-29

© 2018 J.W. Speaker Corporation • Germantown, WI U.S.A.
www.jwspeaker.com • speaker@jwspeaker.com • 262.251.6660